



SHEATHED THERMOCOUPLE WITH CABLE OUTPUT

Type TCG3, TCG32

NT 50-04A

Compliant with standards NFC 42321 ; NF EN 60584-1 ; IEC 584-1

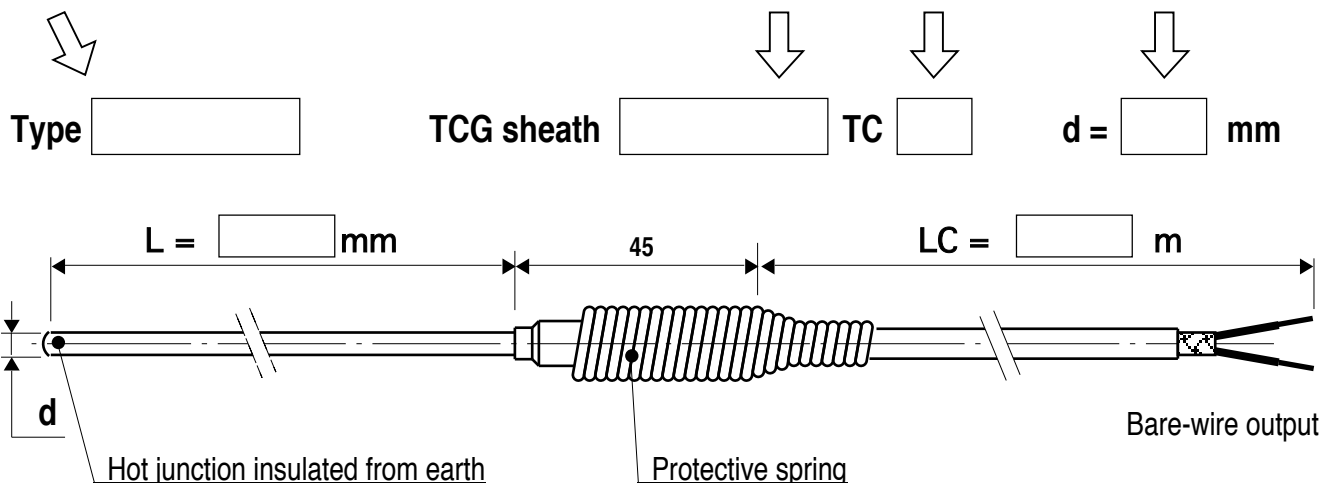
Output by PVC and FEP cable

Accessories

- leakproof adjustable compression fitting
- fixed or adjustable bayonet-fitting fastening system
- rotating connector

TCGs marked are not available

Type	Cable	No. TCs	Sheath type	TC	Sheath diameter								
					1	1,5	2	3	4,5	6	8		
TCG3	PVC sheath • flexible • economical • withstands 105 °C - PVC-insulated wire with cross-section of 0.22 mm ² - Internal copper braid (not linked to the TCG's sheath)	Single	AISI 304L	T									
				J									
			Inconel 600	K									
				N									
			S										
			Nicrobell	N									
Duplex	PtRh 10%	S											
		AISI 304L	2J										
TCG32	FEP sheath • withstands 220°C • good resistance against chemical agents - FEP-insulated wire with cross-section of 0.22 mm ² - Internal copper braid (not linked to the TCG's sheath)	Single	AISI 304L	J									
				K									
			Inconel 600	S									
				PtRh 10%	S								



Type TCG sheath TC d = mm

- Option : Earthed hot junction Option : Mounting without spring Compensated connector option:
- standard male standard female
 miniature male miniature female



SHEATHED THERMOCOUPLE WITH CABLE OUTPUT

Type TCG33, TCG34, TCG35

NT 50-04A

Compliant with standards NFC 42321 ; NF EN 60584-1 ; IEC 584-1

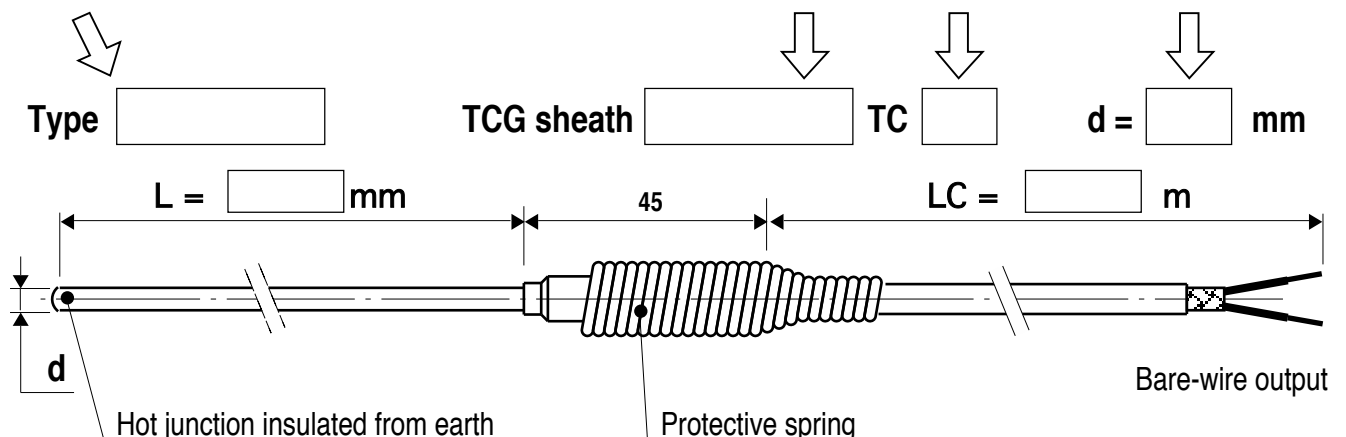
Cable for special applications (temperature / mechanical resistance)

Accessories

- leakproof adjustable compression fitting
- fixed or adjustable bayonet-fitting fastening system
- rotating connector

TCGs marked are not available

Type	Cable	No. TCs	Sheath type	TC	Sheath diameter									
					1	1,5	2	3	4,5	6	8			
TCG33	Silicone sheath • withstands 250°C • flexible - Glass-silk-insulated wire with cross-section of 0.5 mm ² - Internal copper braid (not linked to the TCG's sheath)	Single	AISI 304L	J										
			Inconel 600	K										
				S										
				PtRh 10%	S									
TCG34	Glass-silk sheath • withstands 350°C • external stainless-steel braid - Glass-silk-insulated wire with cross-section of 0.2 mm ² under glass-silk braid	Single	AISI 304L	J										
			Inconel 600	K										
		Duplex	Inconel 600	2K										
TCG35	Glass-silk sheath • withstands 250°C • external galvanized-steel braid - Glass-silk-insulated wire with cross-section of 1.34 mm ² under glass-silk braid	Single	AISI 304L	J										
			Inconel 600	K										
				S										
				PtRh 10%	S									



Option :

Earthed hot junction

Option :

Mounting without spring

Compensated connector option:

standard male standard female
 miniature male miniature female



SHEATHED THERMOCOUPLE WITH CABLE OUTPUT

Type TCG3i, TCG32i

NT 50-04A

Compliant with standards NFC 42321 ; NF EN 60584-1 ; IEC 584-1

ATEX version

Intrinsic safety mode **ATEX II-1-G(&D) EEx-ia-IIC-T6** (see specific ATEX 93-03 documentation)

Accessories

- leakproof adjustable compression fitting
- fixed or adjustable bayonet-fitting fastening system
- rotating connector

Type	Cable	No. TCs	Sheath type	TC	Sheath diameter					
					1	2	3	4,5	6	8
TCG3i	PVC sheath • withstands 105°C • flexible • economical - Glass-silk-insulated wire with cross-section of 0.5 mm ² - Internal copper braid (not linked to the TCG's sheath)	Single	AISI 304L	J						
			Inconel 600	K						
		Duplex	AISI 304L	2J						
			Inconel 600	2K						
TCG32i	FEP sheath • withstands 250°C • good resistance against chemical agents - FEP-insulated wire with cross-section of 0.22 mm ² - Internal copper braid (not linked to the TCG's sheath)	Single	AISI 304L	J						
			Inconel 600	K						
		Duplex	AISI 304L	2J						
			Inconel 600	2K						

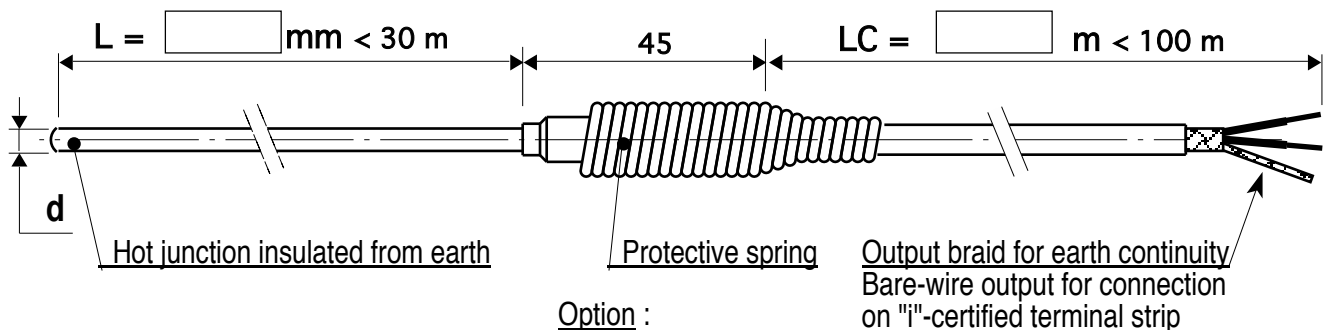
↓
↓
↓
↓

Type

 TCG sheath

 TC

 d = mm



Option : Mounting without spring



SHEATHED THERMOCOUPLE WITH CABLE OUTPUT

Type TCG31

NT 50-04A

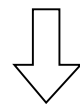
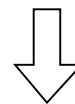
Compliant with standards NFC 42321 ; NF EN 60584-1 ; IEC 584-1

Thermocouple Ø 0.5

Accessories

- leakproof adjustable compression fitting
- fixed or adjustable bayonet-fitting fastening system
- rotating connector

Type	Cable	No. TCs	Sheath type	TC
TCG31	Wire Ø 0.5 mm FEP-insulated, twisted, flexible	Single	AISI 304L	J
			AISI 304L	T
			Inconel 600	K

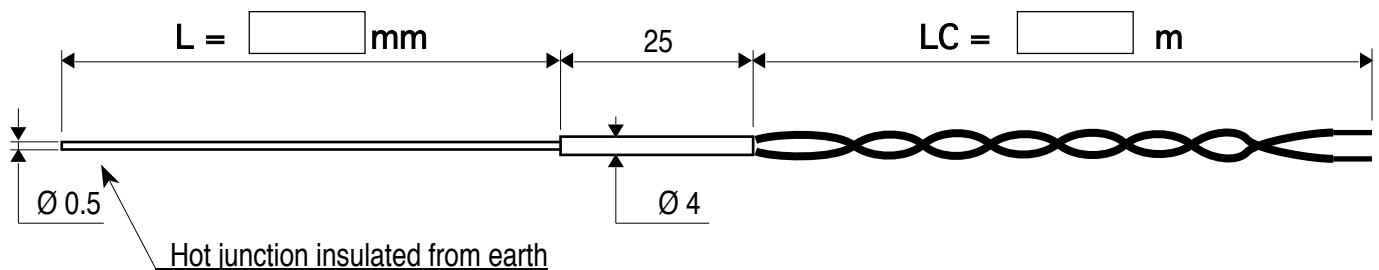


Type TCG31

d = 0.5 mm

TCG sheath

TC



Option :

Earthed hot junction